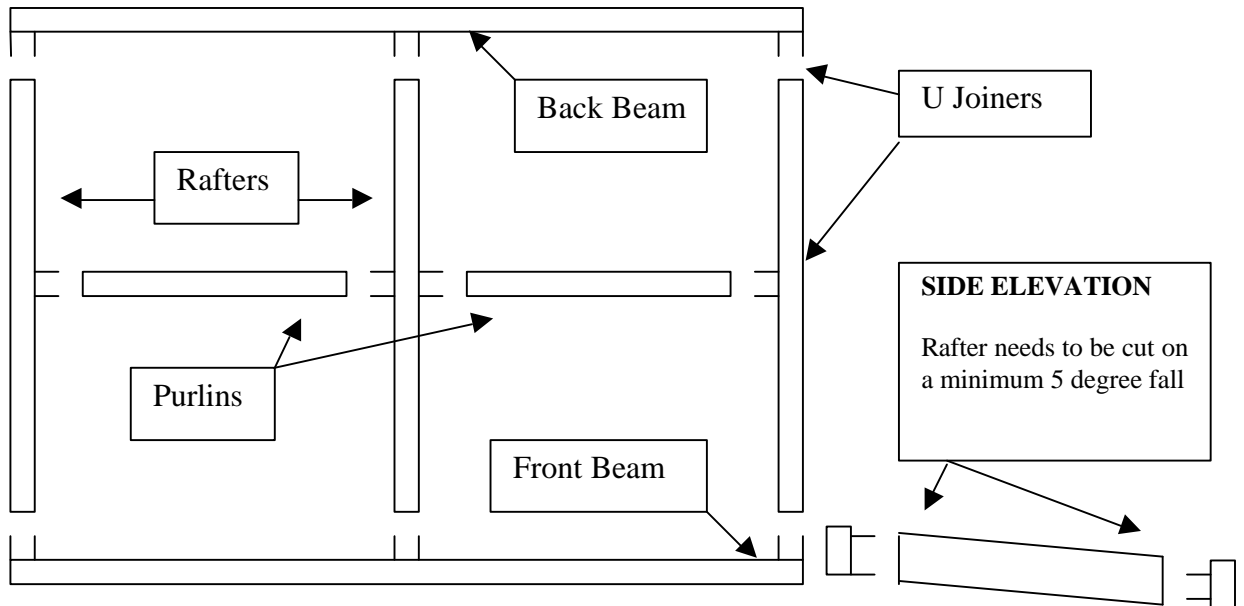


STEPS TO INSTALL CARBOLITE ALUMINIUM FRAME.



- 1) The rafters, beams and purlins all need to be cut. Cut the **beams** to the exact width you need. Then cut the **rafters** complete with a 5 degree mitre cut at both ends. This will create the fall you need. The **rafter** fits inside the beams so deduct 100mm from the overall rafter size to achieve your finished size.
- 2) Cut the **purlins** to size. This measurement (as shown in the diagram above) is calculated as (total width minus 150mm (3 x rafters @50mm each) divided by 2. So if the total width was 5m, your 2 purlins will be 2.425m.
- 3) Get the U Joiners and screw each u joiner into place. You must align each member exactly with the corresponding member to ensure they aligned. Make sure there are 2 x 20mm frame screws holding each u joiner to the beam. For the beam connectors, make sure the u joiner is 3mm in from each edge.
- 4) Then silicone the back of the back beams and then screw the back beam to your wall. Ensure the beam has at least 20mm gap below a gutter to slide the roof sheets in under. Use the 100mm dynabolts/ screwbolts and space every 1.5m. Make sure there is a bolt 100mm either side of the middle rafter. (Refer attached engineer diagram.)
- 5) With your props. Slide the rafters over the u joiners and sit on the props at the front. Screw 1 tek screw into position just to hold it. (You will screw more later).
- 6) Place the purlins into position by spreading the rafters apart. Screw 1 tek screw on one side of each joiner to hold it. (You will screw more later).
- 7) Attach the front beam but leave on props. Screw into position.
- 8) Whilst the frame is still on props, go around and screw 20mm framing screws, 2 each side to each joiner. There should be a total of 4 each connection. (Refer engineer drawing.)
- 9) Do not install the posts, yet. Once the roof sheets are installed, the frame will pull into square. If you install the posts now and the frame is not square, the posts will not be square after.
- 10) Touch up any screws now. Tap in black end caps to open ends of beams.
- 11) Attach gutter to front beam. Run necessary downpipes.

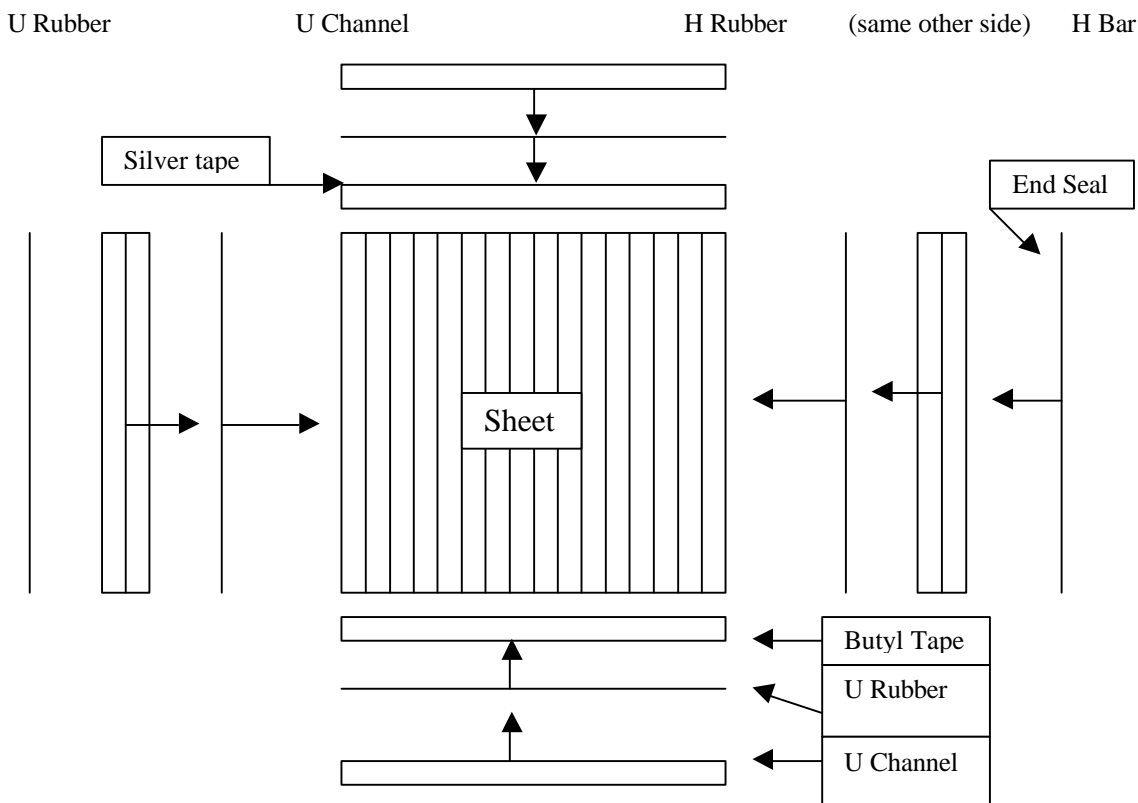
You are now ready to install the CARBOLITE roof kit system. Please follow the attached installation guides.

STEPS TO INSTALL CARBOLITE ROOFSHEETS TO FRAME.

This guide assumes a CARBOLITE aluminium frame has been installed. Modifications may be needed if you are placing on an existing timber pergola.

- 1) Prepare as much on the ground as possible. Start by peeling the top and bottom edge of protective plastic about 100mm. Then, put the supplied tapes on the open edge of the sheets. The black sticky tar tape (butyl tape) goes on the end of the sheet where the water will run to. The standard aluminium silver tape goes on the top end. Repeat for each sheet.
- 2) Peel the plastic of the side of the sheet another 100mm back. (Always leave as much plastic on sheet as possible to prevent dirt/finger marks etc).
- 3) Cut the H Bar rubber to the SAME size as the H Bar. Do not stretch the rubber when measuring. Each H Bar needs 2 H Rubbers.
- 4) Put the rubber on one side of the sheet. Simply wipe a damp cloth over the H rubber and tap the H bar with a mallet onto the rubber/sheet.
- 5) Repeat this for each sheet.
- 6) On the first sheet, you can put two H Bars on immediately.
- 7) Measure the distance between the 2 H Bars on the first sheet. Then cut the U Rubbers to this size as you will need them on each sheet before the next step.
- 8) When this is all done, silicone the rear U Channel into place. Slide the first sheet (with 2 H bars on it and the U Rubber) into position. Once you have this in place, screw down (using 35mm Tek screw) when in square.
- 9) Repeat this procedure for each sheet. You will need to use the mallet to tap in. Placing the sheet on an angle to the H Bar is the best procedure.
- 10) Screw down each sheet as you go.
- 11) When all the sheets are in place, cut the U rubber to each sheet so it fits at the end of the sheet within the H Bars (over the butyl tape end). Then put the U channel on and pop rivet into place.

The system explained:



CARBOLITE PATIO COVERS:

Installation Guide:

You will need to supply:

- 1) Drill
- 2) 1 x Tek piece to suit Tek screws x gauge 5/16
- 3) Caulking Gun plus silicone.
- 4) Hacksaw or preferably drop saw with aluminium blade.
- 5) Pop Rivet Gun.
- 6) Props x no: of rafters. (Acrow props are fine)
- 7) Stanley Knife
- 8) Bolts/Screws to fix back beam.(Not supplied as we are unaware of fixing)

You will be supplied: ROOFKIT ONLY:

- 1) Sheets - as requested at correct length.
- 2) H Bars - same number as sheets PLUS 1.
- 3) U Channels - to cover sheets. Maximum length is 6m.
- 4) H Rubber - metres calculated at no: H Bars x length x 2.
- 5) U Rubber - same amount as U Channel.
- 6) End Seal Plug - enough to cover exposed end of H bars only.
- 7) Butyl Tape - enough to seal bottom of sheets only.
- 8) Silver Tape - enough to seal top of sheets only.
- 9) 35mm Tek Screws - calculated at 1 per baton per H Bar.
- 10) Pop Rivets - enough to secure U Channels.

Description of rubbers:

H Rubber- smallest of the rubbers used to seal sheets to H Bars.

U Rubbers-thickest of the rubbers used to seal sheets to U Channels.

End Seal Plug-bulb rubber used to seal open end of last H bars.

Butyl Tape-Sticky tar tape used for bottom of sheets only.

Silver Tape-aluminium silver tape used at top end of sheets only.

You will be supplied: CARBOLITE aluminium frame:

- 1) Beams - correct amount/size as per engineer specs. (NOT CUT TO SIZE)
- 2) Rafters - correct amount/size as per engineer specs. (NOT CUT TO SIZE)
- 3) Purlins - correct amount/size as per engineer specs. (NOT CUT TO SIZE)
- 4) U Joiners - correct amount as per engineer specs.
- 5) Post joiners - correct amount as per engineer specs.
- 6) 20mm frame screws - number of brackets x 6.
- 7) End Caps - 4

Please ring our office should the above not be supplied (02 9674 2500)